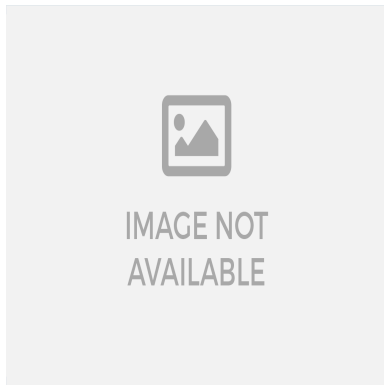


Product sheet



BELANKO S LEGRAND

Belanko S 1 gang single pole unswitched outlet - with USB C 18W charger

REF. 617665A | EAN. 3414972428439

> [Visit e-catalogue](#)

Product characteristics

- 2P+E British Standard, 13A, 250V + 18W USB C charger
- White finish
- Screw type terminals for a secured & enhanced contacts
- Marked terminals for easy identification
- Strip length indicator avoids waste of wires

Recommendation / Restriction

- Recommended inside use only

The product's benefits

Installation

- Quick & Easy installation in single wall box

Usage

- Fitted with safety shutters to maximise child protection + Convenient charging of USB devices

Avantages

- Delivered with its protective shell against paint and dust during installation phase
- Optimised range for new builds and ideal for renovation projects
- Delivered with screws for flush & surface boxes in both plastic and metal boxes

Documentation

TECHNICAL DOCUMENTATION

F03964EN-00.pdf | PDF (0.59Mo)

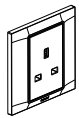
Agreements & Certificates

G-MARK-0048202300046

OC / CB-FR_716291

Belanko™ S 13A Sockets

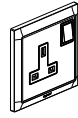
Cat. No(s): 6 17X 40/41/42/43/45/46/47/48/49



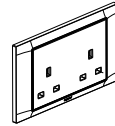
6 17X 40



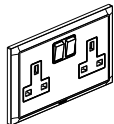
6 17X 41/42



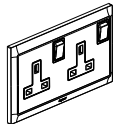
6 17X 43



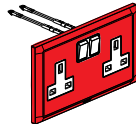
6 17X 45



6 17X 46/47



6 17X 48



6 17X 49

CONTENTS

1. Use.....	1
2. Range.....	1
3. Preparation.....	1
4. Overall dimensions.....	2
5. Connection.....	2
6. Technical characteristics.....	2
7. Cleaning.....	2
8. Conformity - Approvals.....	2

1. USE

One and two gang switched and unswitched 13A socket outlets designed to accept BS 1363 fused plugs.
(Supplied with M3.5 screws for BS boxes. Flush mounting or surface mounting.)

2. RANGE

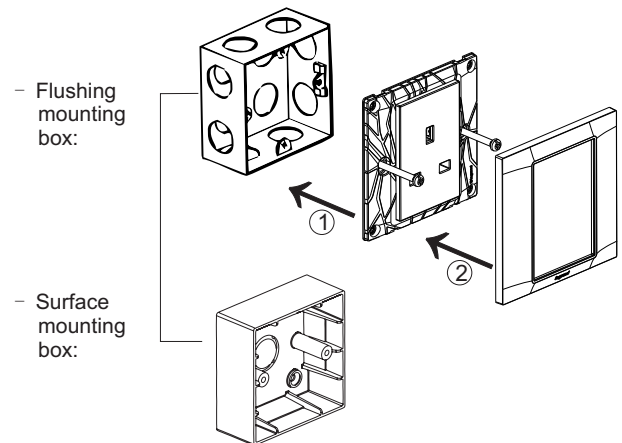
	Designation	Cat. No.	Weight(g)
	1G BS 13A UNSWITCHED SOCKET	6 17X 40	59.1
	1G BS 13A SP SWTD SOCKET	6 17X 41	62.5
	1G BS 13A SP SWTD + NEON	6 17X 42	64
	1G BS 13A DP SSO SMALL ROCK	6 17X 43	80.9
	2G BS 13A UNSWITCHED SOCKET	6 17X 45	105.4
	2G BS 13A SP SWTD SOCKET	6 17X 46	131
	2G BS 13A SP SWTD+ NEON	6 17X 47	131.5
	2G BS 13A DP SWTD SOCKET	6 17X 48	133.7
	2G BS 13A SP RED SWTD + NEON	6 17X 49	129.5

Colours

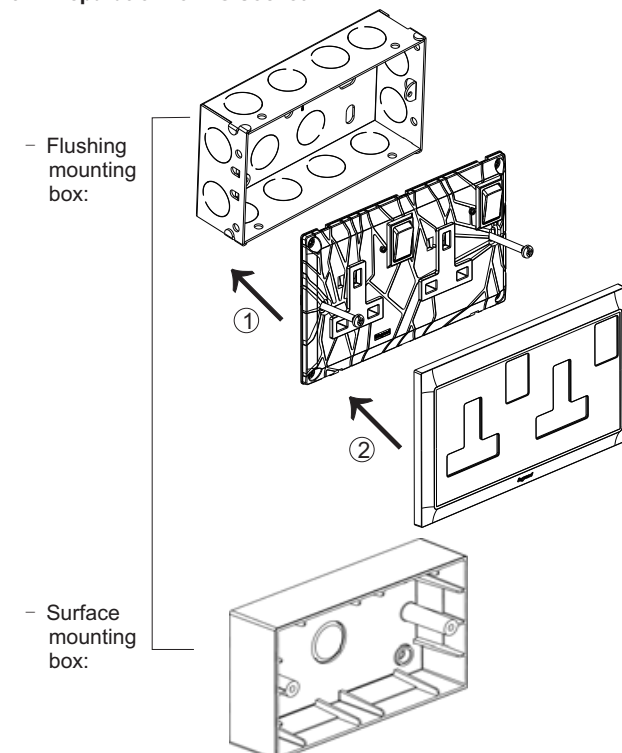
-Front: white/anthracite/ivory
-Rear: grey
6 176 XX White
6 177 XX Anthracite
6 178 XX Ivory

3. PREPARATION

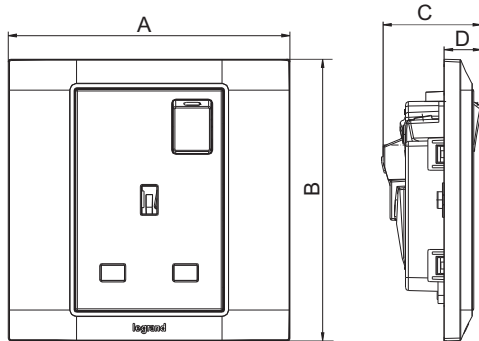
3.1 Preparation for 1G socket



3.2 Preparation for 2G socket



4. OVERALL DIMENSIONS



References	A	B	C	D
6 17X 40	86	86	25.6	9
6 17X 41/42	86	86	30.1	11.4
6 17X 43	86	86	30.5	11.1
6 17X 45	146	86	26	9
6 17X 46/47/49	146	86	28.3	11.2
6 17X 48	146	86	30.4	11.1

5. CONNECTION

5.1 Terminals

The type of Terminals : cage terminal

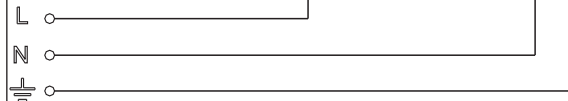
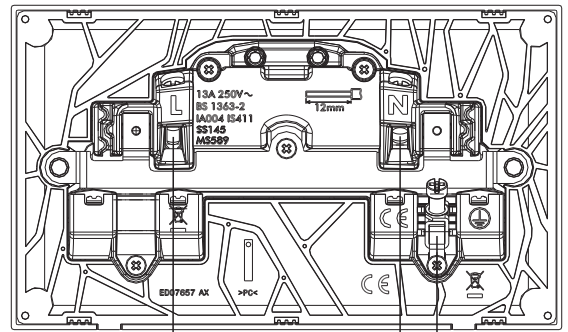
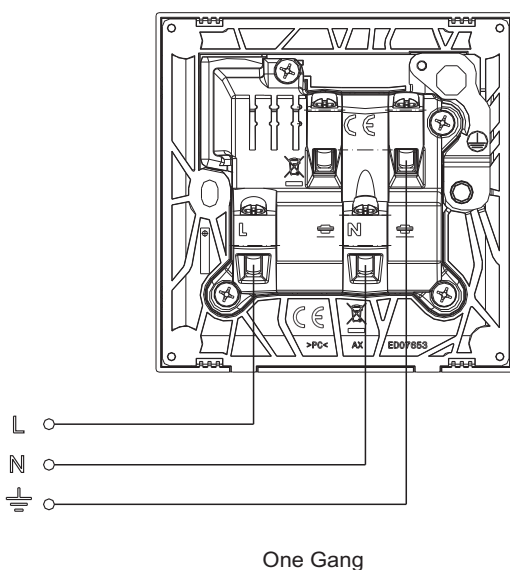
Terminal capacity: $3 \times 2.5 \text{ mm}^2$
 $3 \times 4 \text{ mm}^2$
 $2 \times 6 \text{ mm}^2$

Recommended screwdriver size: <4 mm flat blade

Recommended stripping length: 12 mm

Recommended terminal tightening torque: 0.5Nm

5.2 Circuit diagrams



Two Gang

6. TECHNICAL CHARACTERISTICS

6.1 Material characteristics

Rocker: Polycarbonate

Frame: Polycarbonate

Base: PP

Self-extinguishing:

+ 850° C / 30 s for insulating parts holding live parts in place

+ 650° C / 30 s for other parts made of insulating materials

6.2 Electrical characteristics

Voltage: 250V~

Current: 13A

6.3 Climatic characteristics

Storage temperatures: -10°C to +70°C

Operating temperatures: -5°C to +50°C

6.4 Mechanical characteristics

Impact test: IK04

Protection against solids & liquids: IP20

7. CLEANING

Surface cleaning with a soft, slightly damp cloth.

Do not use: acetone, tar remover, trichloroethylene

8. CONFORMITY - APPROVALS

Conform to BS 1363-2; SS 145-2; MS 589-2.