



LED PRO

Simple & Flexible Solution to design modern lights lines in professional and retail spaces.

LED PENDANT LINEAR LUMINAIRE SERIES

PRODUCT INFORMATION

- Modern looking, neat luminaire offering comfortable, good quality lighting and can also work as a design element.
- Ideal lighting in the non-working areas of professional spaces such as offices, educational institutes, and also the welcoming areas and entrances of retail spaces.
- ILLUS LED PENDANT LINEAR Luminaire gives the customer the flexibility to choose between 9 models based on their specific need with lumen package from 2300 lm to 2800 lm.

BENEFITS

- Clean and uniform light.
- Multiple application use.
- Easy to install and maintain.

FEATURES

- High CRI>80.
- Efficacy to 93lm/w.
- Long life span 30,000 hrs.
- Wide operating voltage AC220-240V.
- Non-dimmable.



**BEYOND LIGHT..
TO THE LAST DETAILS!**

AREAS OF APPLICATION



Hospitality



Shopping Center



Commercial



Educational Center



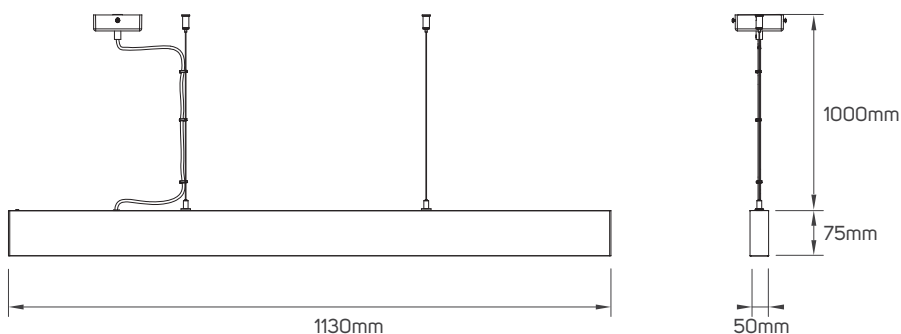
TECHNICAL OPERATING & ELECTRICAL DATA

Body Material	Aluminum
IP Rating	IP20
Lumen	2300-2800lm/M+/-10%
Voltage	AC220-240V
Frequency	50/60Hz
Beam Angle	115°
Dimming	Non- Dimmable
Lamp Type	Indirect
Fixed or Adjustable	Adjustable
Life Span	30000h

SPECIFICATIONS

Code No.	Model No.	Power	Lumen	Efficacy	CCT	Body Color
671128	ILS30PLL830WW01	30W	2400lm	80lm/W	3000K	aluminum
671129	ILS30PLL840NW01	30W	2550lm	85lm/W	4000K	aluminum
671130	ILS30PLL850DL01	30W	2650lm	88.33lm/W	5000K	aluminum
671131	ILS30PLL830WW02	30W	2550lm	85lm/W	3000K	matt white
671132	ILS30PLL840NW02	30W	2700lm	90lm/W	4000K	matt white
671133	ILS30PLL850DL02	30W	2800lm	93.33lm/W	5000K	matt white
671134	ILS30PLL830WW03	30W	2300lm	76.67lm/W	3000K	matt black
671135	ILS30PLL840NW03	30W	2550lm	85lm/W	4000K	matt black
671136	ILS30PLL850DL03	30W	2600lm	86.67lm/W	5000K	matt black

DIMENSIONS



APPLICATION PICTURE



This image is for display purpose only, the image may differ from the actual product, as the product is subject to modification provided without prior notice.

LED PENDANT LINEAR LUMINAIRE SERIES

**BEYOND LIGHT..
TO THE LAST DETAILS!**



Carrer de la Vall de la Ballestera, 64, 46015 València, Valencia, España, Tel: +34619824456

www.illusillumination.com

illus illumination reserve the right to make dimensional, design and technical alternations without prior notice. illus illumination endeavor to ensure that any advice, recommendation or information it provides in product literature is accurate and correct. However due to the fact that illus do not have direct control on where and how the products are installed, illus illumination cannot accept any liability either direct or indirect arising from the use of illus products whether or not in accordance with any advice, specification, recommendation or information provided by illus illumination or its distributors.

11192021M1